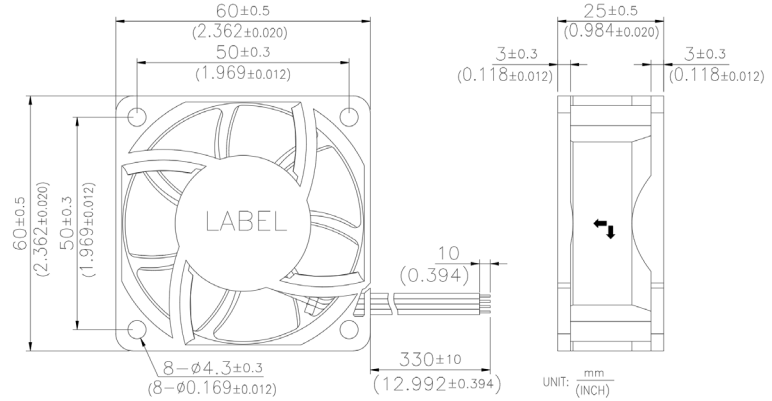
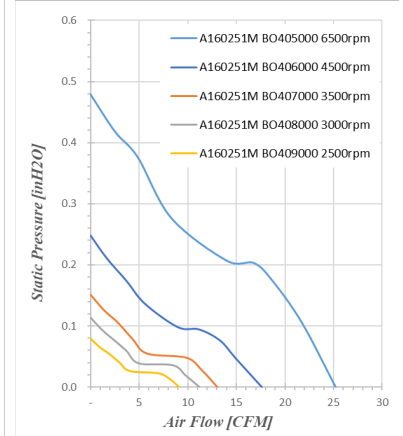
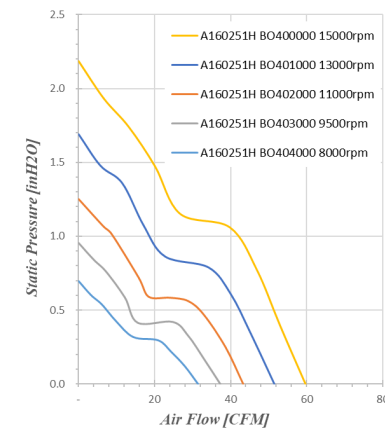


## iCOOL Fan 60\*60\*25 MM Series

### DIMENSION DRAWING



Housing : Plastic (UL 94V-0)  
 Impeller : Plastic (UL 94V-0)  
 Bearing : Ball bearing  
 Operating temp :  $-10 \sim 70^{\circ}\text{C}$   
 Mass : 70.5g



Product Type	Model No.		Control Type	Bearing Type	Rated Voltage	Operating Voltage Range	Operating Temp.	Speed	Input Current	Input Power	Maximum Air Flow		Maximum Air Pressure			Noise
					VDC	VDC	°C	R.P.M	Amp	Watt	CFM	m <sup>3</sup> /min	inH <sub>2</sub> O	mmH <sub>2</sub> O	Pa	dB(A)
6025 12V Series	A160251H	BO400000	+/-FG/PWM	Ball	12	7~13.8	-10~70	15000	1.450	17.40	59.65	1.69	2.18	55.49	544	59.4
	A160251H	BO401000	+/-FG/PWM	Ball	12	7~13.8	-10~70	13000	0.985	11.82	53.08	1.50	1.70	43.18	423	55.8
	A160251H	BO402000	+/-FG/PWM	Ball	12	7~13.8	-10~70	11000	0.565	6.78	43.24	1.22	1.22	30.92	303	52.7
	A160251H	BO403000	+/-FG/PWM	Ball	12	7~13.8	-10~70	9500	0.459	5.50	37.33	1.06	0.95	24.25	238	48.6
	A160251H	BO404000	+/-FG/PWM	Ball	12	7~13.8	-10~70	7500	0.330	3.96	31.48	0.89	0.70	17.67	173	44.2
	A160251M	BO405000	+/-FG/PWM	Ball	12	7~13.8	-10~70	6500	0.215	2.58	25.24	0.71	0.48	12.18	119	38.9
	A160251M	BO406000	+/-FG/PWM	Ball	12	7~13.8	-10~70	4500	0.073	0.87	17.63	0.50	0.25	6.29	62	29.4
	A160251M	BO407000	+/-FG/PWM	Ball	12	7~13.8	-10~70	3500	0.051	0.61	14.70	0.42	0.15	3.82	37	25.5
	A160251M	BO408000	+/-FG/PWM	Ball	12	7~13.8	-10~70	3000	0.036	0.44	10.93	0.31	0.11	2.81	28	22.7
A160251M	BO409000	+/-FG/PWM	Ball	12	7~13.8	-10~70	2500	0.029	0.35	8.97	0.25	0.08	2.02	20	19.8	
6025 24V Series	A160252M	BO400000	+/-FG/PWM	Ball	24	14~27.6	-10~70	15000	0.725	17.40	59.65	1.69	2.18	55.49	544	59.4
	A160252M	BO401000	+/-FG/PWM	Ball	24	14~27.6	-10~70	13000	0.493	11.82	53.08	1.50	1.70	43.18	423	55.8
	A160252M	BO402000	+/-FG/PWM	Ball	24	14~27.6	-10~70	11000	0.283	6.78	43.24	1.22	1.22	30.92	303	52.7
	A160252M	BO403000	+/-FG/PWM	Ball	24	14~27.6	-10~70	9500	0.229	5.50	37.33	1.06	0.95	24.25	238	48.6
	A160252M	BO404000	+/-FG/PWM	Ball	24	14~27.6	-10~70	7500	0.165	3.96	31.48	0.89	0.70	17.67	173	44.2
	A160252M	BO405000	+/-FG/PWM	Ball	24	14~27.6	-10~70	6500	0.108	2.58	25.24	0.71	0.48	12.18	119	38.9